
DOWNLOAD



[Registro Para Isilo 6.10](#)

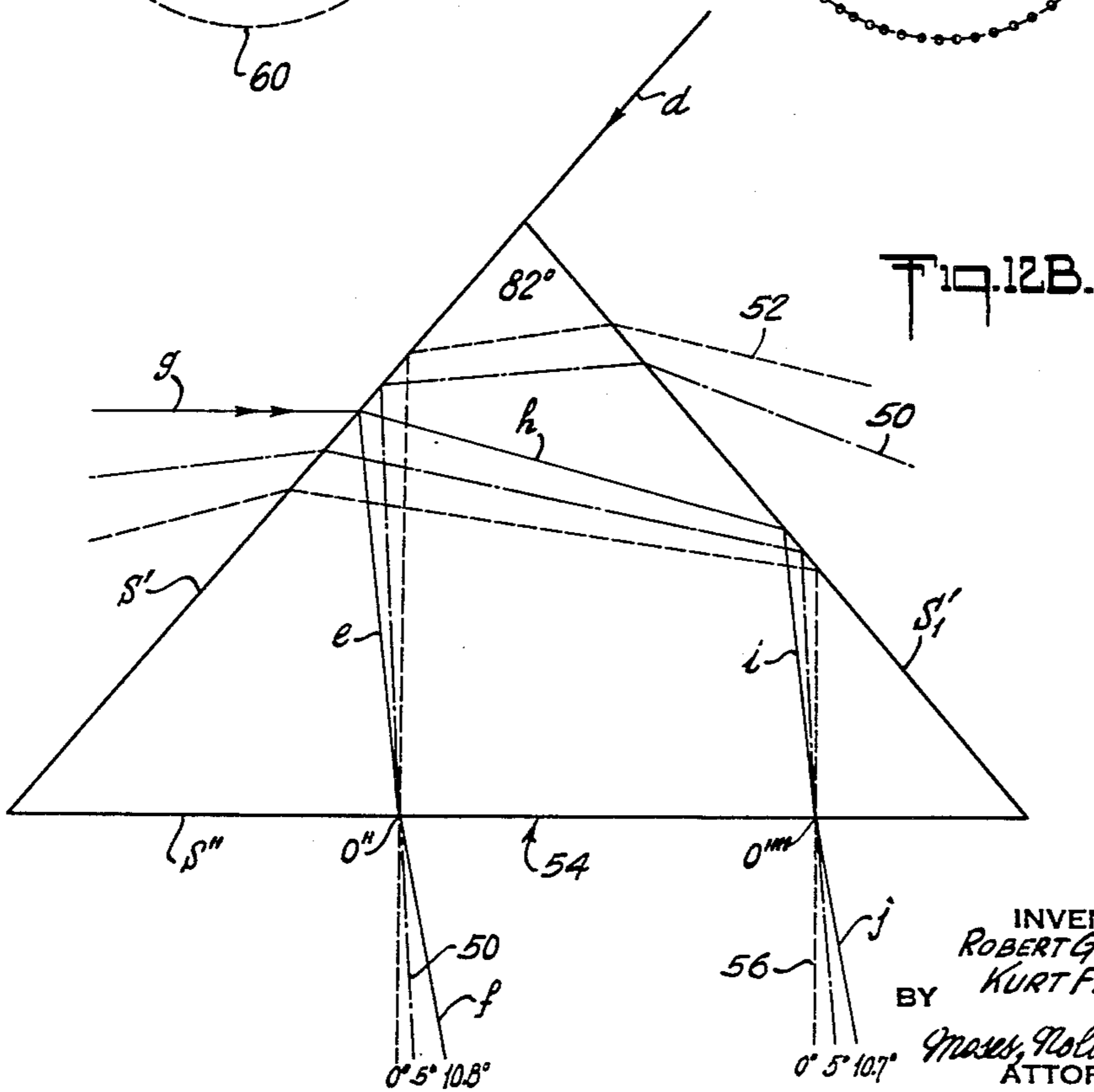
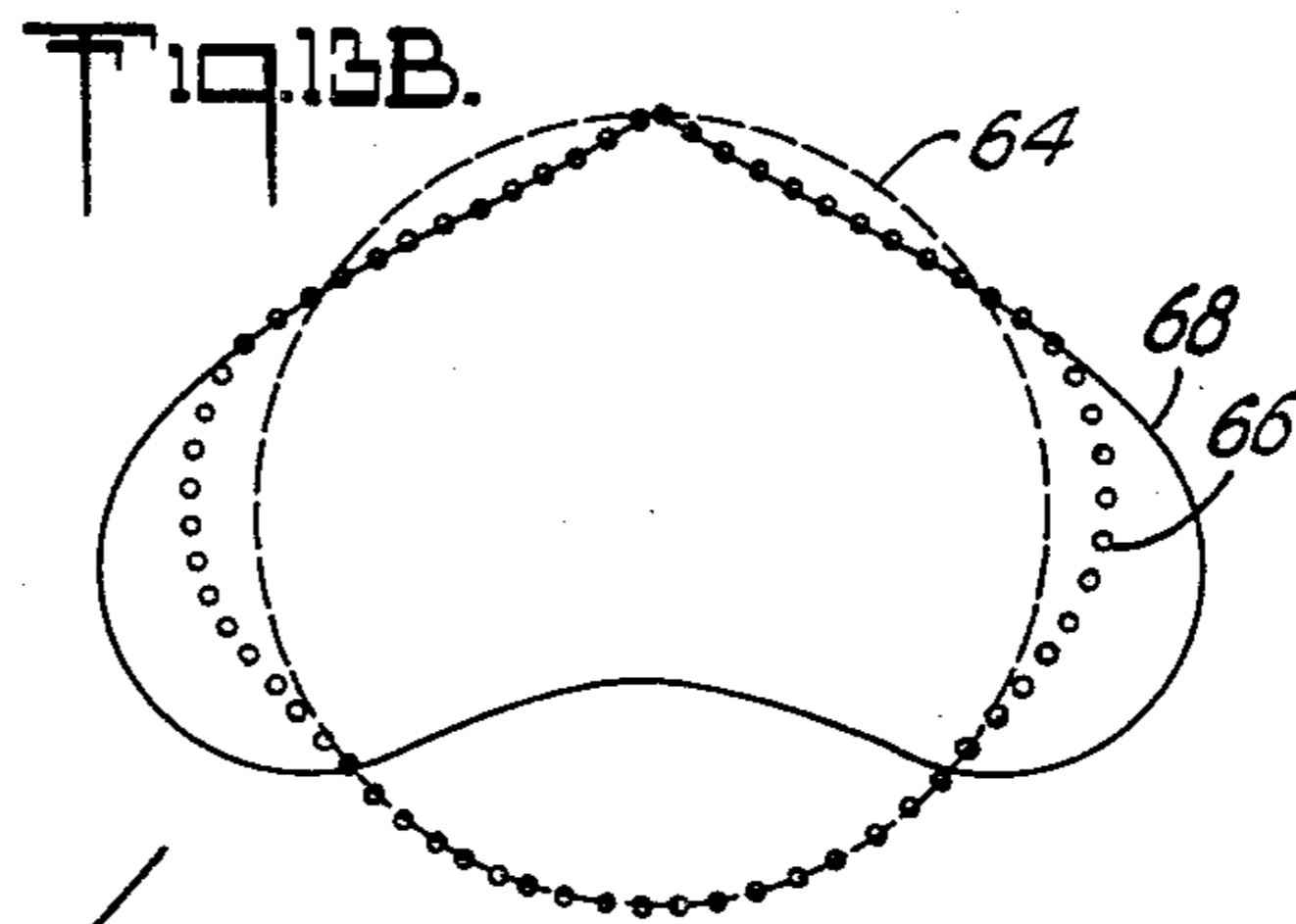
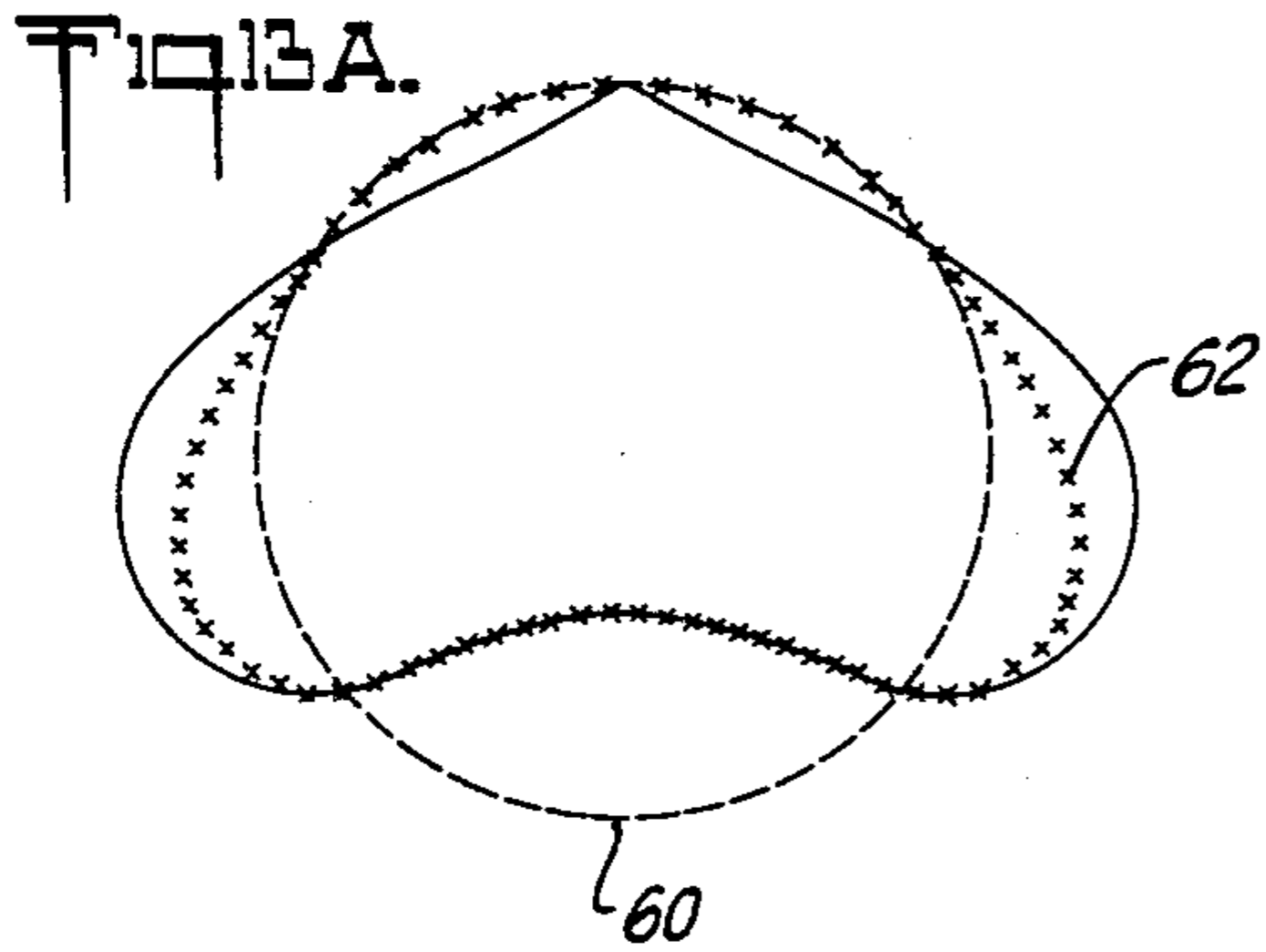
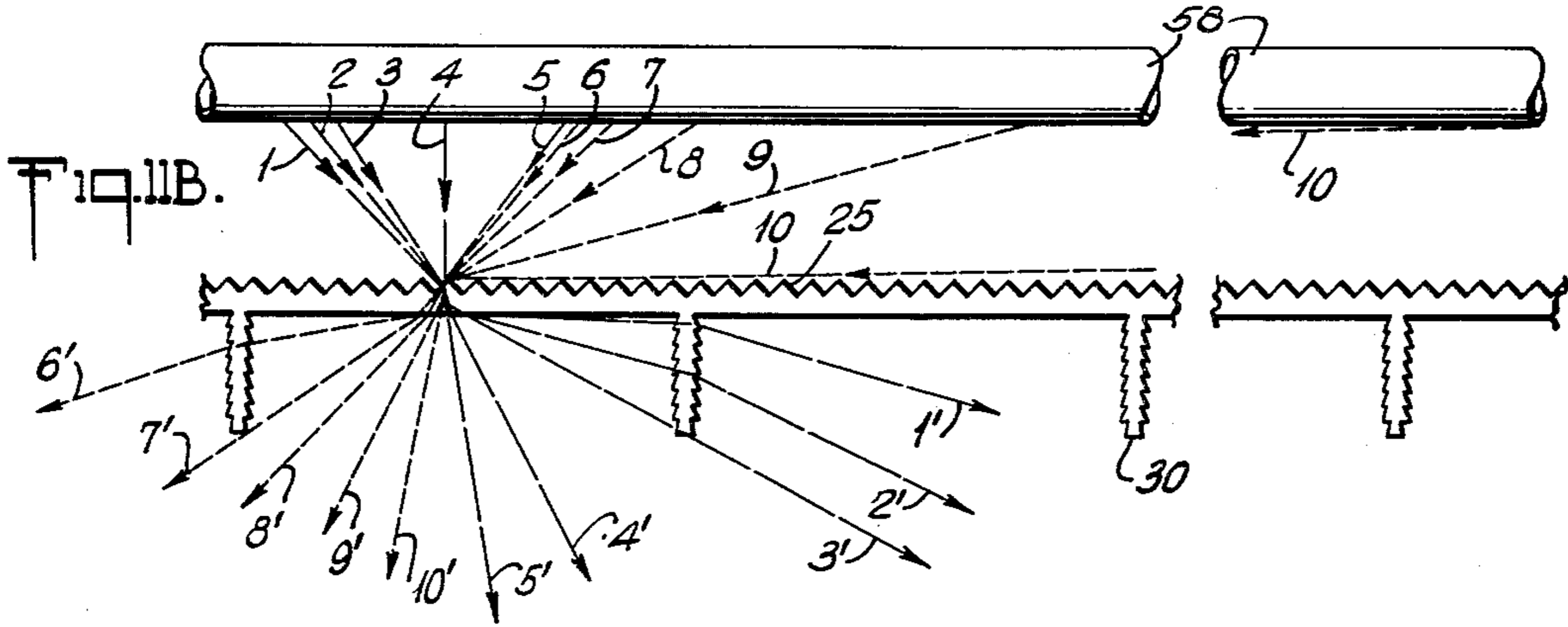
Oct. 27, 1964

R. G. McPHAIL ETAL
STREET LIGHT REFRACTOR

3,154,254

Filed Jan. 2, 1959

3 Sheets-Sheet 3



INVENTORS
ROBERT G. McPHAIL
BY KURT FRANCK
Moses, Goltz & Goltz
ATTORNEYS



